

KBL12260 12V 26Ah



The KAISE LONG LIFE Series 10 years has been designed for different applications, such as UPS, electric and telecommunications applications that require a long useful life.



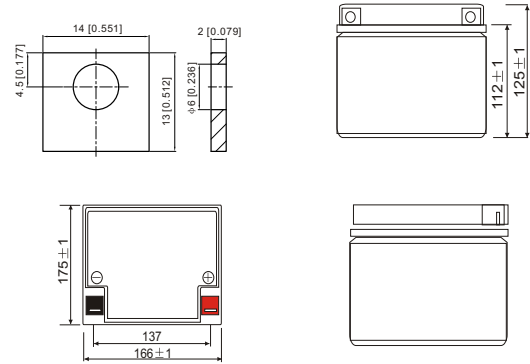
Performance Characteristics

Nominal Voltage	12V	
Nominal Capacity	26.0Ah	
Dimensions	Length (mm / inch)	166±2 / 6.54
	Width (mm / inch)	175±2 / 6.89
	Height (mm / inch)	125±2 / 4.92
	Total Height (mm / inch)	125±2 / 4.92
Approx Weight	(Kg / lbs) 8.1 / 17.9	
Design Life	10 / 12 years	
Terminal	M5	
Container Material	ABS	
Rated Capacity	26.00 Ah / 2.60A	(10hr, 1.80V/cell, 25°C/77°F)
	22.55 Ah / 4.51A	(5hr, 1.75V/cell, 25°C/77°F)
	20.55 Ah / 6.85A	(3hr, 1.75V/cell, 25°C/77°F)
	16.00 Ah / 16.0A	(1hr, 1.60V/cell, 25°C/77°F)
Max. Discharge Current	390A (5s)	
Internal Resistance	Approx 12.0mΩ	
Operating Temp. Range	Discharge: -15 ~ 50°C (5~122°F)	
	Charge: 0 ~ 40°C (32~104°F)	
	Storage: -15 ~ 40°C (5~104°F)	
Nominal Operating Temp. Range	25 ± 3°C (77 ± 5°F)	
Cycle Use	Initial Charging Current less than 7.8A.	
	Voltage: 14.4V ~ 15.0V at 25°C (77°F)	
	Temp. Coefficient: -30mV/°C	
Standby Use	No limit on Initial Charging Current	
	Voltage: 13.5V ~ 13.8V at 25°C (77°F)	
	Temp. Coefficient: -20mV/°C	
Capacity affected by Temperature	40°C (104°F)	103%
	25°C (77°F)	100%
	0°C (32°F)	86%
Self Discharge	Fully charged Kaise High Rate Series batteries may be stored for up to 6 months at 25°C (77°F) and then a freshening charge is required. For higher temperatures the time interval will be shorter.	

Constant Current Discharge (Amperes) at 25°C (77°F)

Volts/cell	10min	15min	30min	1h	3h	5h	10h	20h
1.80V	42.9	33.8	23.0	13.8	6.72	4.39	2.60	1.378
1.75V	47.1	36.9	23.9	14.5	6.85	4.51	2.63	1.391
1.70V	51.3	36.4	24.8	14.9	7.04	4.62	2.65	1.417
1.65V	55.4	41.9	26.2	15.4	7.34	4.75	2.71	1.435
1.60V	60.1	44.8	27.7	16.0	7.56	4.91	2.74	1.443

Dimensions and Terminal (Unit: mm (inches))



Applications

- UPS and EPS
- Marine and power stations
- Communication power supply
- DC power supply
- Electronic apparatus and equipment
- Railway signal and aircraft signal system
- Emergency lighting
- Alarm and security system

Certifications

ISO 9001 / ISO 14001



Discharge Current vs. Discharge Voltage

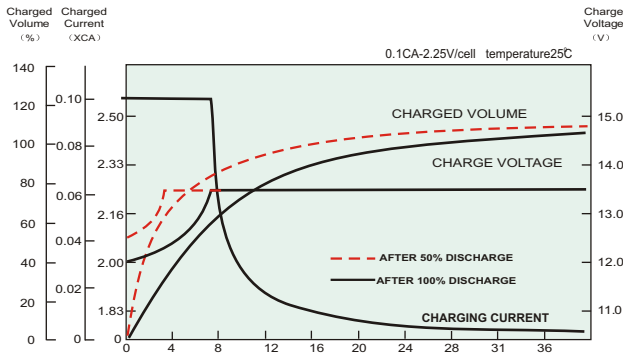
Final discharge voltage V/CELL	1.8	1.75	1.7	1.6
Discharge current (A)	$I \leq 0.1CA$	$0.25CA \geq I > 0.1CA$	$0.55CA \geq I > 0.25CA$	$I > 0.55CA$

Constant Power Discharge (Watts per cell) at 25°C (77°F)

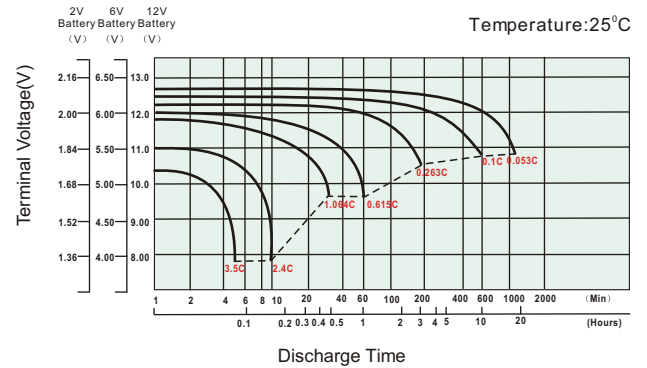
Volts/cell	10min	15min	30min	1h	2h	3h	5h	10h
1.80V	79.7	63.4	44.0	27.0	16.9	13.3	8.73	5.23
1.75V	86.2	68.4	45.3	28.2	17.5	13.5	8.93	5.27
1.70V	91.9	72.1	46.9	29.0	18.1	13.8	9.14	5.32
1.65V	98.3	76.1	49.0	29.7	18.5	14.3	9.36	5.42
1.60V	104.3	80.0	51.4	30.6	19.1	14.7	9.64	5.47

(Note) The above characteristics data are average values obtained within three charge/discharge cycles not the minimum values.

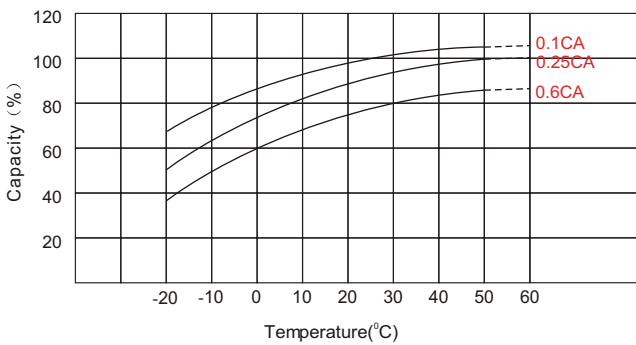
Charging Characteristics (float use)



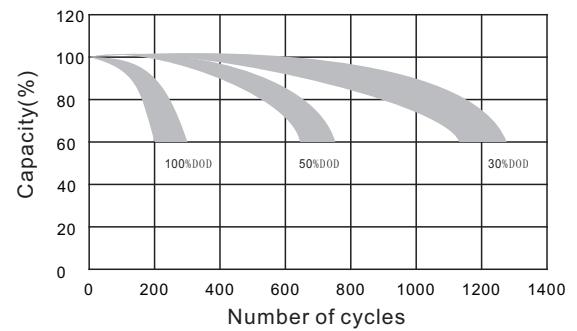
Discharge Characteristics



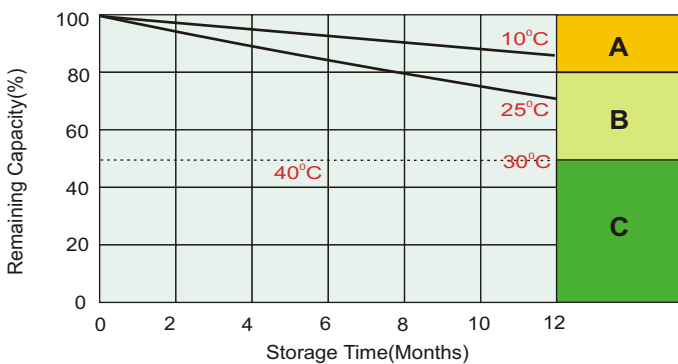
Temperature Effects in Relation to Battery Capacity



Effect of Temperature on Long Term Float Life



Self-Discharge Characteristics



- A** No supplementary charge required
(Carry out supplementary charge before use if 100% capacity is required.)
- B** Supplementary charge required before use. Optional charging way as below:
 1. Charged for above 3 days at limited current 0.25CA and constant volatge 2.25V/cell.
 2. Charged for above 20hours at limited current 0.25CA and constant volatge 2.45V/cell.
 3. Charged for 8~10hours at limited current 0.05CA .
- C** Supplementary charge may often fail to recover the capacity.
The battery should never be left standing till this is reached.

IMPORTANT NOTE: The specifications presented herein are subject to revision without notice.

2024/VIL

